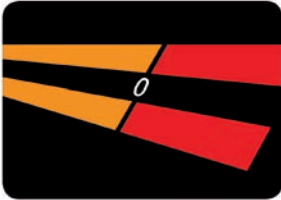


Table-Top Peak Meter 1206

30 years



showing limits

1200 series table-top peak meter analog and digital



- High-resolution 201 segment gas plasma display, scale length 127 mm
- Sliding scale for multi-standard operation or for horizontal/vertical installation
- Integrated power supply 115/230 - 240 V AC, app. 11 VA
- All measurement ranges conform to IRT 3/6, British or Nordic
- Robust polymer case with mounting bracket, dimension 207 x 41 x 141 mm

Additional features of the analog peak meter:

- Electronically balanced inputs with XLR connectors
- Unbalanced RCA input connectors
- Analog reference level +6 dBu, (British +8 dBu)
- Analog input sensitivity adjustable from -14 dBu to +32 dBu

The universal units for professional and semi-professional applications

The 1200 series table-top peak meter are ideal for applications using professional and semi-professional equipment without needing extra functions. The analog versions have both electronically balanced XLR connectors (fixed input sensitivity +6 dBu) and unbalanced RCA connectors. The input sensitivity of these inputs can be adjusted from -14 dBu to +32 dBu with controls on the back side of the unit.

Additional features of the digital peak meter:

- AES/EBU input, transformer balanced, 110 Ω or high-Z, input signal looped through
- S/PDIF input, unbalanced, 75 Ω , optical S/PDIF input with TOS Link connector
- Sliding scale with Digital standard (0 dB FS to -60 dB FS) and one other standard
- Sampling rates (27 kHz to 55 kHz)
- Headroom marks selectable
- Overload indicator with adjustable sensitivity

Dual standard model with a practical sliding scale

Depending on the model you choose the ingenious sliding scale enables either twin standard operation or switching between horizontal and vertical installation.

Analog or digital versions

In addition to the AES/EBU input the 1252DIG digital models are also fitted with S/PDIF and TOS Link interfaces.

RTW

Specifications:

Analog table-top peak meter 1200 series with sliding scale					
Standard	DIN \leftrightarrow DIN	DIN \leftrightarrow DIN	VU \leftrightarrow DIN	British \leftrightarrow VU	Nordic \leftrightarrow DIN
Model number	1206D	1206DR	1206V	1206B	1206N
• General					
Supply voltage	230 - 240 V/115 V 50/60 Hz				
Current drain	app. 11 VA				
Weight	1000 g				
Dimensions (W x H x D)	207 x 41 x 141 mm				
Fastening	Mounting bracket				
Orientation	horizontal or vertical (sliding scale)		horizontal sliding scale (alternative vertical sliding scale included)		
Connector	XLR, RCA (Cinch)				
Keys	Sliding scale				
• Peak meter					
Standard scale 1: scale 2:	IRT 3/6 and DIN IRT 3/6 and DIN		VU IRT 3/6 and DIN	British Ila VU	Nordic N9 IRT 3/6 and DIN
Balanced inputs	electronically	transformer	electronically		
Reference level scale 1: scale 2:	+6 dBu +6 dBu		0 dBu +6 dBu	+8 dBu +2 dBu	+6 dBu +6 dBu
Adjustment range	+3.5 dBu to +8.5 dBu for reference level				
Unbalanced inputs	Input impedance > 47 k Ω				
Reference level	selectable: -14 dBu to +32 dBu				
Max. input level	Balanced inputs: +21 dBu				
Integration time scale 1: scale 2:	10 ms 10 ms	300 ms 10 ms	10 ms 300 ms	5 ms 10 ms	
Fall back time (20 dB)	1.5 s	300 ms	2.8 s v. "7" to "1"	1.7 s	
VU Lead	--	6 dB (selectable: 0 dB to 10 dB)	6 dB (selectable: 0 dB to 10 dB)	--	
Display range scale 1: scale 2:	-50 dB to +5 dB -50 dB to +5 dB	-20 dB to +3 dB -50 dB to +5 dB	"1" to "7" (-12 to +12 dB) -20 dB to +3 dB	-42 dB to +12 dB -50 dB to +5 dB	
Overload indication range scale 1: scale 2:	0 dB to +5 dB 0 dB to +5 dB	0 dB to +3 dB 0 dB to +5 dB	"6" to "7" 0 dB to +3 dB	+6 dB to +12 dB 0 dB to +5 dB	
Scale length	127 mm				
Display elements	201/channel				
Display type	Gas plasma display, neon orange				
• Items delivered					
	Mains power cord, manual		Mains power cord, alternative sliding scale, manual		
• Optional accessories					
	19"/1U rack mount kits				

Digital table-top peak meter 1200 series with sliding scale			
Standard	Digital \leftrightarrow DIN	Digital \leftrightarrow British	Digital \leftrightarrow Nordic
Model number	1252DIG	1252DIG-B	1252DIG-N
• General			
Supply voltage	230 - 240 V/115 V 50/60 Hz		
Current drain	app. 11 VA		
Weight	1000 g		
Dimensions (W x H x D)	207 x 41 x 141 mm		
Fastening	Mounting bracket		
Orientation	horizontal sliding scale (alternative vertical sliding scale included)		
Connector	XLR, RCA (Cinch)		
Keys	Sliding scale		
• Peak meter			
Standard scale 1: scale 2:	IRT 3/6 no. 2 (3.98) IRT 3/6 and DIN 45406	IRT 3/6 no. 2 (3.98) British Ila	IRT 3/6 no. 2 (3.98) Nordic N9
Inputs	AES/EBU, stereo, transformer balanced S/PDIF: unbalanced TOSLINK (optical)		
Impedance	AES/EBU: 110 Ω /high-Z (selectable) S/PDIF: 75 Ω		
Output	AES/EBU, 110 Ω , input signal		
Sampling rate	27 kHz to 55 kHz		
Integration time scale 1: scale 2:	Sample 10 ms	Sample 10 ms @ mark "5.5"	Sample 5 ms
Fall back time scale 1: scale 2:	1.5 s f. 20 dB, 2.5 s f. 40 dB 1.5 s f. 20 dB, 2.5 s f. 40 dB	1.5 s f. 20 dB, 2.5 s f. 40 dB 2.8 s f. "7" to "1"	1.5 s f. 20 dB, 2.5 s f. 40 dB 1.7 s f. 20 dB, 3.5 s f. 40 dB
Display range scale 1: scale 2:	-60 dB FS to 0 dB FS -50 dB to +5 dB	-60 dB FS to 0 dB FS "7" to "1" (-12 to +12 dB)	-60 dB FS to 0 dB FS -42 dB to +12 dB
Headroom scale 1:	-6 dB to -15 dB (selectable in steps of 1 dB)		
Overload indication range scale 2:	0 dB to +5 dB	"6" to "7"	+6 dB to +12 dB
Overload indicators (OVER)	2 LED, threshold level selectable: FS, FS-1, DS-2, -0.1, -0.2, -0.5 dB, 1 dB bis -10 dB		
Attack time (OVER)	1 to 15 samples		
Word length OVER detector	24 bit bis 9 bit		
DC filter	selectable, 5 Hz		
Scale length	127 mm		
Display elements	201/channel		
Display type	Gas plasma display, neon orange		
• Items delivered			
	Mains power cord, alternative sliding scale, manual		
• Optional accessories			
	19"/1U rack mount kits		

Front view of the different models:



Table-top peak meter 1206D/1206DR



Table-top peak meter 1206V



Table-top peak meter 1206B



Table-top peak meter 1252DIG/1252DIG-B/1252DIG-N



Table-top peak meter 1206N

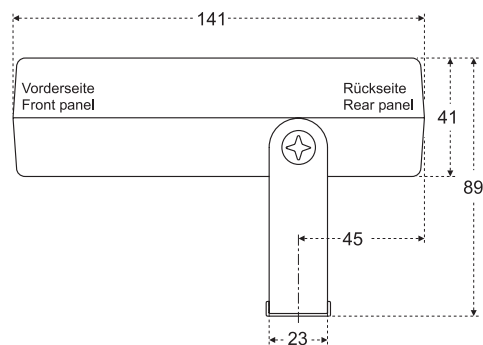
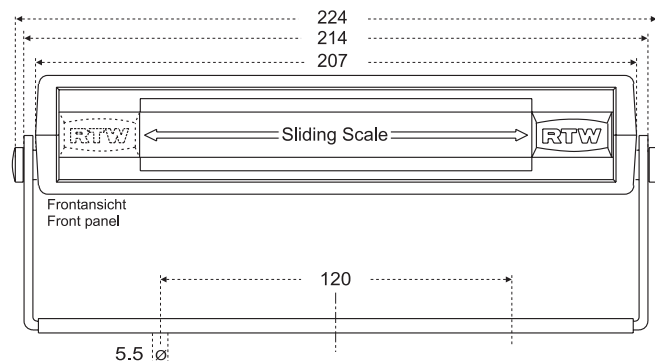
Table-top peak meter 1206D and 1206DR:

Sliding scales for different orientation

Table-top peak meter 1206B, 1206N, 1206V and all 1252DIG:

Horizontal sliding scales with two different standards

Dimensions (mm):



RTW

RTW GmbH & Co. KG
 Elbeallee 19 • 50765 Köln • Germany
 Phone: +49 (0)221 70913-0 • Fax: +49 (0)221 70913-32
 Internet: www.rtw.de • E-Mail: rtw@rtw.de